

# record BLS 60

Touchless switch BLS 60 reduces the spread of germs



## Hygienic and user-friendly

Bacteria and viruses are mostly passed on via the hands. A door handle that turns into a germ spreader is a problem for companies, especially in the hygiene sector. The unpleasant bacteria adhere to many everyday things such as smartphones, shopping trolleys, light switches or door handles.

Non-contact buttons are the ideal solution for hospitals, medical practices, restaurants and food processing industry. Simply approach the switch and the automatic door opens when your hands are busy with carrying objects or typing a message on your smartphone.

In addition to operating the door easily, the record BLS 60 guarantees hygienic handling, as there is never any contact between skin and object.



The BLS 60-REL can easily and quickly be installed in surface- or flush-mounted versions of commonly used switch systems. The switch is ready for operation as soon as you have connected

it electrically to the door control and set the desired scanning range.

The sensor is hidden behind the dark 60 x 60mm front panel. Its activation is indicated by a red LED.

## Applications

- More stringent hygienic requirements for opening doors in hospitals; e.g. operating theatres, laboratories, patient rooms.
- Gesture control of automatic doors in residential and nursing facilities, also for persons with limited mobility.
- Automatic doors in sanitary areas to reduce the spreading of germs and dangerous pathogens.
- Conscious door opening for service personnel between the guest zone and the kitchen in restaurants or for employees in the food processing industry.

## Features

- Scanning range adjustable between 15 and 80cm
- Floating relay changeover contact to control door drives
- Interchangeable front panel with application-related pictograms.

record BLS 60

# record BLS 60

Touchless switch BLS 60 reduces the spread of germs

## Technical data

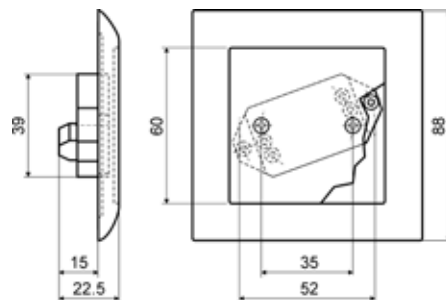
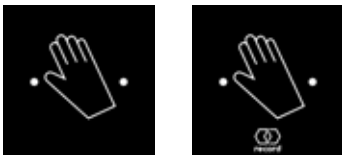
Scanning distance (with white paper):	15...80cm
Glass panel dimension:	60 x 60mm can be installed in Feller or Jung systems
Supply voltage:	10...30 VDC
Power consumption:	0.3 W
Relay output, contact rating:	max. 1 A (30 VDC)
Function indicator when active:	red LED
Protection rating (DIN EN 60529):	IP 54
Temperature range:	-20...+55 °C
Humidity range:	up to 85% rel., non-condensing

## Versions

### Touchless switch BLS 60-REL

Opto-electronic proximity switch with relay actuation  
 Operation: touchless  
 Button size: Standard electrical size 88x88mm  
 Supply voltage : 10-30 VDC  
 Range: 15-80cm

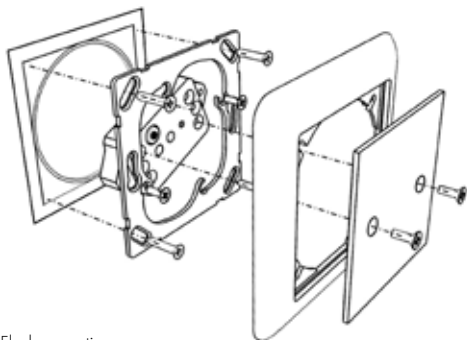
Glass panel «Hand», without/with record Logo



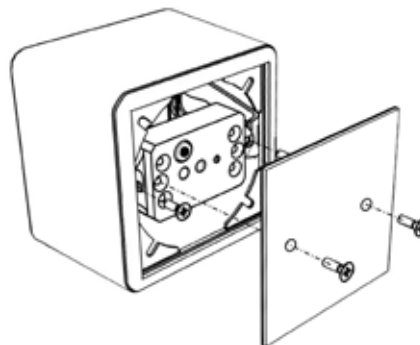
Dimensions

## Installation variants

Alternatively surface mounting or flush mounting possible



Flush mounting



Surface mounting



your global partner for entrance solutions

record group – Allmendstrasse 24 – 8320 Fehraltorf – Switzerland  
 Local contact details: [www.record.group/en/CountrySelection](http://www.record.group/en/CountrySelection)

record BLS 60